



SPRAYERS
& EQUIPMENT

TRS UNDERVINE SWEEPER DIRECT / MAST MOUNTED



TRS UNDERVINE SWEEPER DIRECT OR MAST MOUNTED

MODEL NAME: SD-1830, SD-2438, SM-1830, SM-2438

The TRS direct or mast mounted undervine sweeper provides a clean and low disease risk undervine environment using innovative features such as the trailing head design of the sweeper heads, the contour following frame and the adjustable pitch sweeping heads. The 'quick-change' brush system allows fast maintenance whilst all sliding surfaces are protected with neoprene wear bushes for reliability.

MAST MOUNTED:

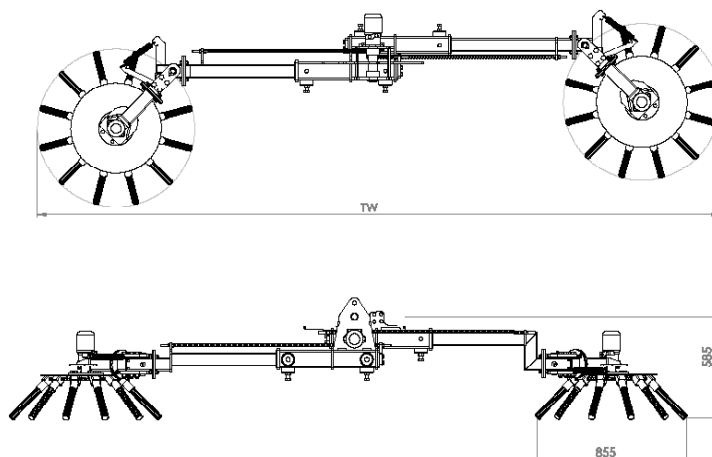
The TRS or ERO mast mounting system is the ideal choice if you have already invested in the ERO 'multi-mast' system, with the ability to use this quick and simple mounting system and the joystick control if fitted.

STANDARD EQUIPMENT AND FEATURES:

- Infinite hydraulic width adjust
- Centre pivot for contour following
- Trailing head design to sweep near posts and trunks without damage
- Simple sweeper bristle replacement

MODEL SPECIFICATIONS:

Model	Dimension	Description	Min	Max
SD-1830	TW	Row Width	1.8m	3.0m
SD-2438	TW	Row Width	2.4m	3.8m
SM-1830	TW	Row Width	1.8m	3.0m
SM-2438	TW	Row Width	2.4m	3.8m



Distributed by:

TRS Wholesale Limited

9B / 40 Waters Ave, Blenheim 7201, New Zealand

Postal Address : PO Box 162, Blenheim 7240, New Zealand

Telephone : +64 3 572 5150

Email: sales@trswholesale.co.nz | trsequipment.co.nz

Your Local Dealer: