



SPRAYERS
& EQUIPMENT

TRS 3-ROW V-SERIES SPRAYER



TRS 3-ROW V-SERIES SPRAYER

MODEL NAME: V3-2300, V3-3000, V3-4000

The TRS V-Series Vineyard Sprayer takes a great concept and makes it even better! Building on the base of the original FMR V-Series vine sprayer released in 2008, the TRS machine introduces a number of innovations and developments, bringing additional benefits to owners and operators.

Features include:

- Tank design provides improved weight distribution for stability
- Boom system offers improved functionality and flexibility including hydraulic row width adjustment
- Tangential fan standardised at 1.8mt length for improved delivery in all canopies
- 'Wet boom' system with 8 roll-over nozzle bodies
- Pumps and valves slide or fold out, making regular servicing simple and easy
- Overall manoeuvrability and stability improved with overall height reduced and centre of mass lowered
- Improved heavy duty walking beam axle
- Improved tank level indicator located on rear frame
- Optimised hydraulic system for greater efficiency and function
- Auto rate controller for improved operator comfort and control

FEATURES:

- 2300, 3000 or 4000lt Composite tank
- 200lt fresh water for flushing & hand wash
- Hot dip galvanised chassis & boom
- Genuine Weber tangential fans with 8 nozzle wet boom
- Automatic rate controller with hydraulic control for booms
- 100% hydraulic drive - just 77lt/min required

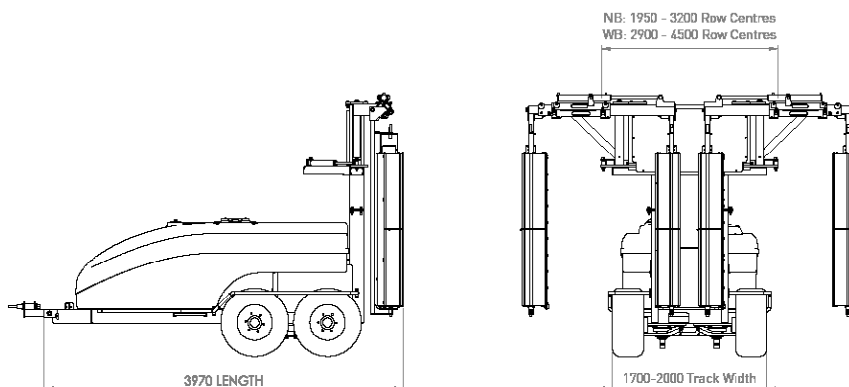
ADDITIONAL OPTIONS:

- 3-point pivoting hitch
- Hydraulic brakes

BENEFITS:

- Targeted delivery results in less off-target drift
- Tangential fan delivers a turbulent stream of high volume, low pressure air across a full length curtain, creating leaf movement and contributing to inner canopy penetration and even deposition to all target surfaces
- Improved operator safety and experience
- Longevity and reliability from strong, robust design
- Ease of cleaning and maintenance
- Fast connect and disconnect from tractor
- Developed in NZ, and tested and proven in New Zealand & Australian vineyards

MODEL DIMENSIONS:



Fan with wet boom

Distributed by:

TRS Wholesale Limited
9B / 40 Waters Ave, Blenheim 7201, New Zealand
Postal Address : PO Box 162, Blenheim 7240, New Zealand
Telephone : +64 3 572 5150
Email: sales@trswholesale.co.nz | trsequipment.co.nz

Your local dealer: