



SPRAYERS
& EQUIPMENT

TRS 1-ROW LINKAGE V-SERIES SPRAYER



TRS 1-ROW V-SERIES LINKAGE SPRAYER

MODEL NAME: VL1-500

The TRS V-Series Narrow Sprayer incorporates the TRS vineyard sprayer fan technology and delivers a commercial, high performance, power efficient sprayer system on a smaller scale. This makes the TRS V Spray technology available to smaller vineyards without compromising performance. The reduced size and weight allows the option to use smaller tractors. The sprayer is suitable for vineyard with row widths down to 1.5m. The TRS Linkage mount Vineyard Sprayer has been designed without compromising quality, performance and safety. Our key focus has been to deliver the features and benefits of our highly regarded industry standard commercial TRS Sprayer range.

FEATURES:

- 500L Poly main spray tank
- 16L Freshwater hand wash tank
- 32L Freshwater sprayer flush tank
- Hot dip galvanised steel chassis and boom
- Genuine Weber QU13.5 Tangential fans (Maximum treatable canopy height 2m)
- Strong Cat2 3-point linkage hitch
- PTO Bertolini poly 2073 15bar spray pump, delivering a maximum volume of 72lpm at 540rpm / 52lpm at 400rpm
- Minimum operating width of 1.5m (Based on VSP style canopy)
- Electric spray controls, in-cab electric pressure adjustment and individual on / off left & right section valves

BENEFITS:

- Fans are hydraulically driven, allowing easy fan speed adjustment
- Easy fan position adjustment for row width changes
- Tangential fans allow a targeted delivery result, requires less power and has better management of spray drift
- Sprayer requires 1 hydraulic tractor remote with indent and a free flow return
- Tank design includes a 10-degree tapered tank floor with a centralised sump and internal baffle for ease of removal of tank content and reducing tank surge when on steeper vineyards
- Low sprayer operating power requirement (static) and fan operating noise levels

ADDITIONAL OPTIONS:

- Hydraulic drive spray pump (in lieu of PTO drive)
- Upgrade spray rate controller to Bravo 180s with wheel speed sensor & 2.5-50lpm flow sensor (Requires a 12v DC 10amp fused power supply) Additional upgrades on Bravo 180s controller:
 - Fan speed monitoring
 - Tank level sensor
 - Digital spray pressure
 - GPS speed sensor

Sprayer Hydraulic Requirements:

PTO drive spray delivery pump variant:

Fan speed 1400rpm - 13.5lpm at 100bar operating pressure

Fan speed 1600rpm - 15.5lpm at 125bar operating pressure

Fan speed 1700rpm - 16.0lpm at 152bar operating pressure

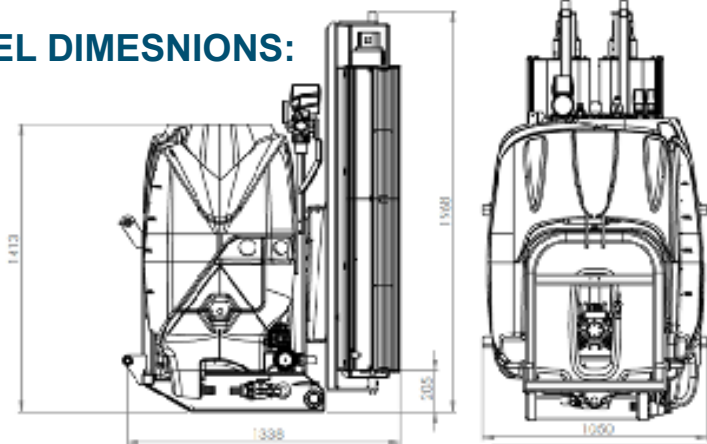
Hydraulic drive spray pump 400rpm pump speed variant:

Fan speed 1400rpm - 33.5lpm at 100bar operating pressure

Fan speed 1600rpm - 36.5lpm at 125bar operating pressure

Fan speed 1700rpm - 37.0lpm at 152bar operating pressure

MODEL DIMENSIONS:



Sprayer Operating Range:

- Fan speed range: 0.2000rpm ca.
- Spray liquid delivery range per fan 4.0 - 18lpm.
- Operating spray pressure: 5 - 10bar
- Optimum agitation performance equal to 168lpm
- Recommended spray operating speed range: 5.5 - 7km/hr

Distributed by:

TRS Wholesale Limited

9B / 40 Waters Ave, Blenheim 7201, New Zealand

Postal Address : PO Box 162, Blenheim 7240, New Zealand

Telephone : +64 3 572 5150

Email: sales@trswholesale.co.nz | trsequipment.co.nz

Your local dealer: